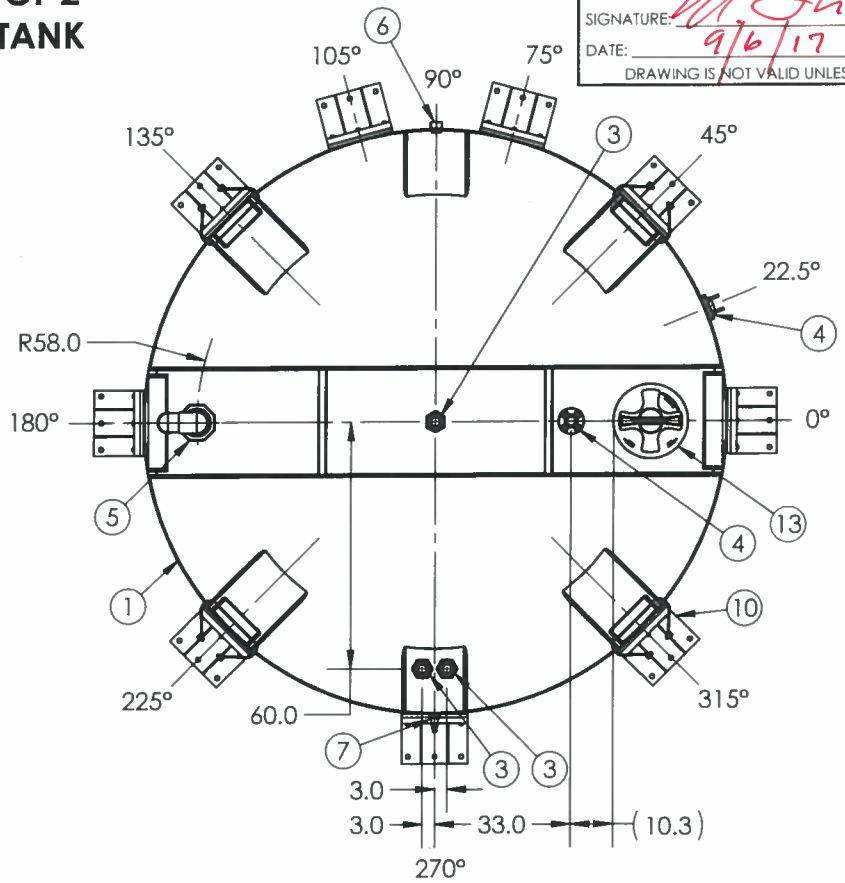
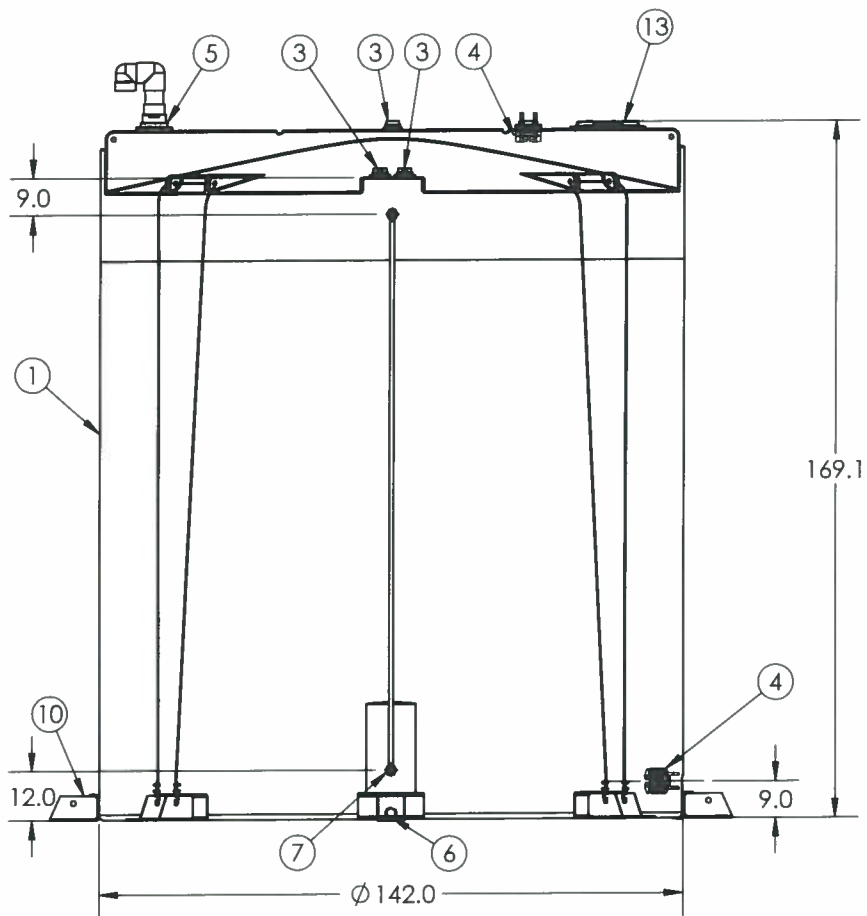


TANK 1 OF 2 NORTH TANK

CUSTOMER APPROVAL
 APPROVED FOR PRODUCTION AS DRAWN.
 REVISE AS NOTED & RESUBMIT FOR APPROVAL.
 SIGNATURE: *M. J. Hall*
 DATE: *9/6/17*
 DRAWING IS NOT VALID UNLESS SIGNED



ITEM NO.	QTY.	PART NUMBER	DESCRIPTION	SHOWN	TANK CONFIG.
13	1	34700087	ASM MANWAY 18IN PE W/4IN VENT W/TIE SII	YES	YES
12	1	34702652	FOAM INSULATION 10500VDT X 142 1IN WHITE	NO	YES
11	1	34701196	KIT URETHANE FOAM REPAIR -WHITE TKS	NO	NO
10	1	34700291	ASM SEISMIC GS 10500 X 142 1.9 SG	YES	NO
9	1	5390100N94701	ASM FLEXMASTER 2IN COUPLING HD/HCW	NO	NO
8	1	34700366	ASM VALVE VITON PVC SIGHTGLASS - DRAIN	NO	NO
7	1	34700362	ASM SIGHTGLASS PVC BH W/VITON	YES	YES
6	1	34700781	ASM FTG PVC 2IN SUMO TITAN/VITON	YES	YES
5	1	34700264	ASM U-VENT PVC 4IN BH W/VITON	YES	YES
4	2	34700687	ASM FITTING PVC 2BLTD TLB VITON	YES	YES
3	3	34700238	ASM FITTING PVC 2IN BH SXT W/VITON	YES	YES
2	1	00000176	PROTECTIVE PLASTIC 5400-10500(142" & 144")	NO	YES
1	1	5330018N97201	ASM TK 10500VDT NAT 2IN TITAN SUMO 1.9	YES	YES

CUSTOMER: **HIP-JACKSONVILLE, FL** CUSTOMER NO: **037D1845**

DO NOT SCALE	DRAWN BY: ET3		TITLE: ASM TK 10500VDT NAT 2IN TITAN SUMO 1.9	REVISION: B
STATUS: Released	© SNYDER INDUSTRIES INC., 2017		PART NO.: 5330018N972	SHEET: 1 OF 1
<small>ALL DIMENSIONS, DESIGNS, AND INFORMATION ON THIS PRINT MUST BE CONSIDERED PROPRIETARY TO SNYDER INDUSTRIES, INC. AND MAY NOT BE USED, COPIED, OR DISTRIBUTED WITHOUT WRITTEN PERMISSION OF AN OFFICER (OR HIS AGENT) OF THE FIRM.</small>		(402) 467-5221 www.snydernet.com	ENG. ID.: A010566	

***ALL EXTERNAL PIPING MUST BE INDEPENDENTLY SUPPORTED.**
***ONLY BASE FITTINGS TO BE LEFT INSTALLED AT TIME OF SHIPMENT PER SII PROCEDURE.**
***Consult Snyder's Guidelines for Use and Installation prior to delivery.**
 Available on-line at www.snyderindustriestanks.com/Technical
ALL DIMENSIONS ARE IN INCHES, NOMINAL, & SUBJECT TO CHANGE WITHOUT NOTICE.
ALL DIMENSIONS ON ROTATIONAL MOLDED PARTS ARE SUBJECT TO A ± 3% TOLERANCE.

